

BIBO: Bag-In, Bag-Out

Safe HEPA filter change. ESCO

Biohazard: Bio Safety Cabinet Class II B2

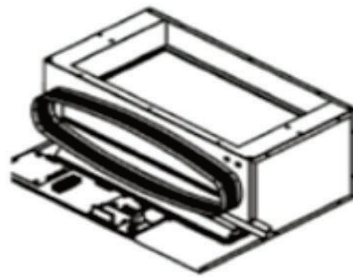


- Total exhaust
- NSF 49 certified
- Touch screen display
- BMS connection
- USB port: data logging

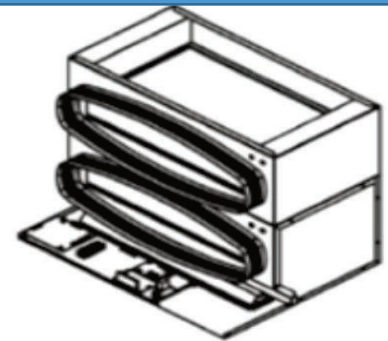
LB2-3B8-BIBO G4	Labculture® G4 Class II Type B2 Biological Safety Cabinet, 3ft/0.9m (with BIBO)
LB2-4B8-BIBO G4	Labculture® G4 Class II Type B2 Biological Safety Cabinet, 4ft/1.2m (with BIBO)
LB2-5B8-BIBO G4	Labculture® G4 Class II Type B2 Biological Safety Cabinet, 5ft/1.5m (with BIBO)
LB2-6B8-BIBO G4	Labculture® G4 Class II Type B2 Biological Safety Cabinet, 6ft/1.8m (with BIBO)

Powder handling

Ventilated Balance Enclosure, Isolator, Down Flow Booth



Single Filtration Module



Dual Filtration Module

